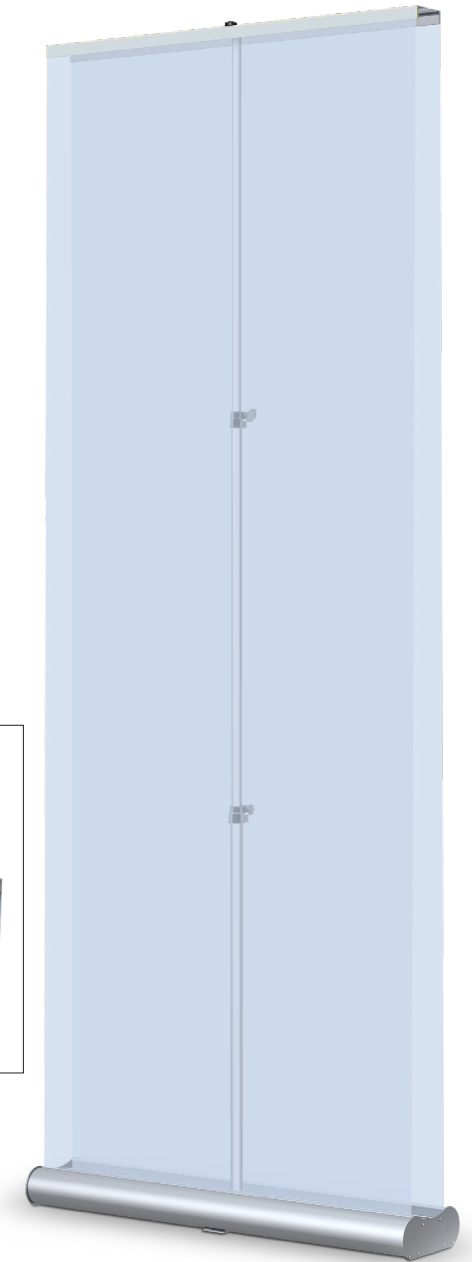
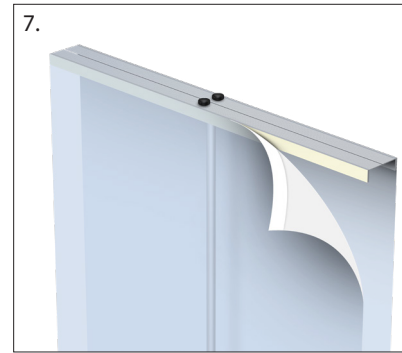
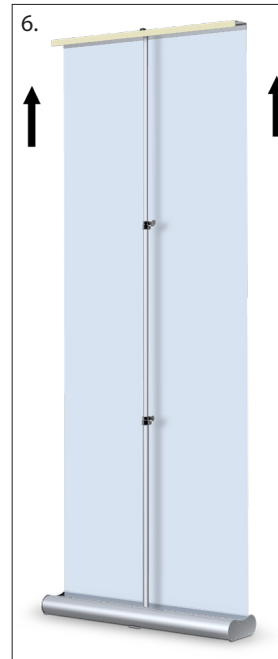
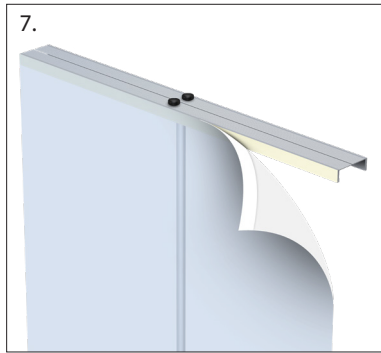
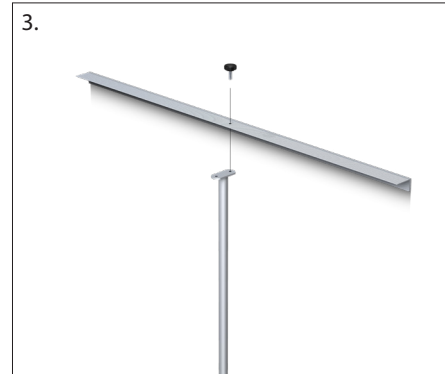
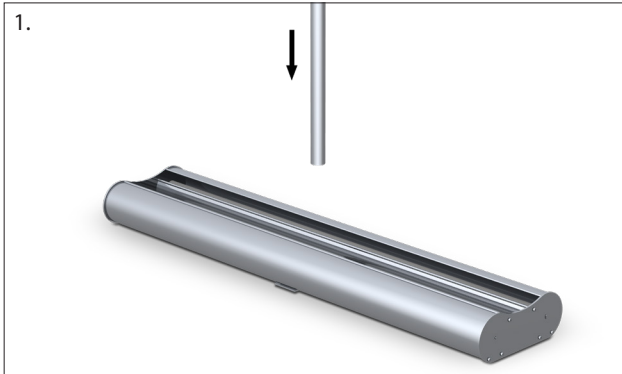


Mercury™ Banner Stand - RY2, RY4, RY10

1. Screw pole onto base stem.
2. Screw crossbar bracket onto the upright.
3. Fasten the crossbar to the top hole of the upright using the pre-attached knob-screw. Tighten firmly.
4. Attach second crossbar to the crossbar bracket.
5. Attach velcro graphic to base retractable (not shown) and crossbar.
6. Pull the telescopic pole up until the graphic is taught and tighten the locks when the desired height is reached.
7. Pull up the second graphic until its loose and attach to the crossbar.



RY2 shown